



Manufacturer of tools for working
of wood, PVC, aluminium and MDF



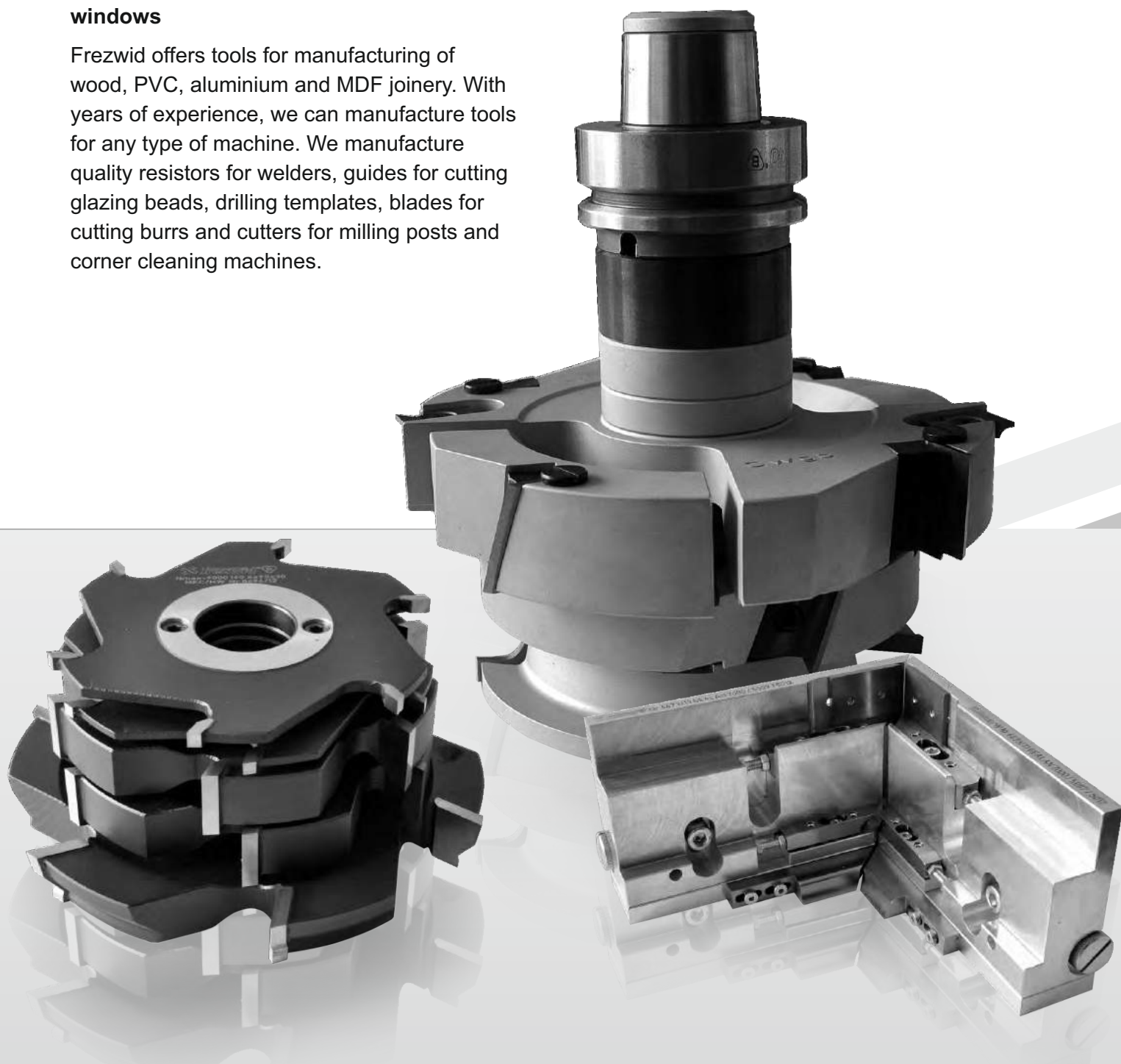
ZPH "FREZWID" sp.j.
ul. Piłsudskiego 7B
32-050 Skawina

tel.: +48 12 276 33 51
+48 12 276 39 05
fax: +48 12 276 50 68

www.frezwid.com.pl
e-mail: sekretariat@frezwid.com.pl

Tools for the production of doors and windows

Frezwid offers tools for manufacturing of wood, PVC, aluminium and MDF joinery. With years of experience, we can manufacture tools for any type of machine. We manufacture quality resistors for welders, guides for cutting glazing beads, drilling templates, blades for cutting burrs and cutters for milling posts and corner cleaning machines.

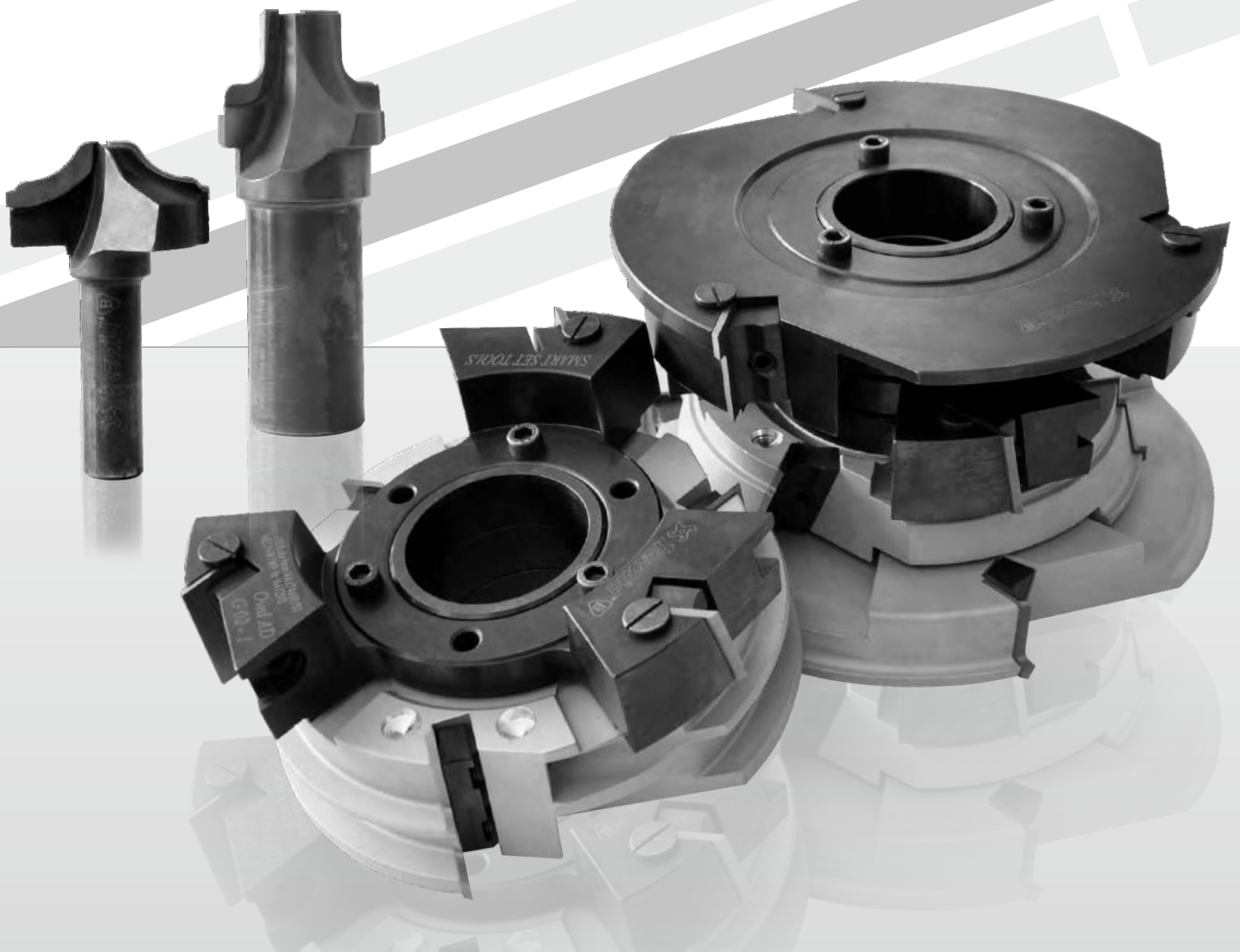


DP diamond cutters

Where the resistance of tools is of key importance in the production process, our wide range of cutters with polycrystalline diamond blades will be the right choice. Such tools are ideal for working hard materials, such as MDF and HDF.

SMART SET TOOLS

Innovative solutions incorporated in SMART SET TOOLS allow quick and easy profile change of wooden or aluminium and wood windows manufactured. With a complete set of heads, several types of windows can be produced.



Circular saw blades for wood, PVC, aluminium and MDF

We offer top quality carbide circular saw blades for working of wood, wood-based materials, PVC and aluminium. The blades manufactured by Frezwid offer exceptional strength and long life.

Shank cutters, end mills and drills

We manufacture a broad range of quality shank cutters and drills for wooden, aluminium and PVC joinery. The cutters are made of high speed steel or carbide, as monolithic and soldered.



Machine parts

We manufacture single and small batches of high precision parts for machinery and equipment. The orders are completed based on the customer documentation or according to the design developed in our design office.

We have manufactured tools since 1983.

Frezwid is primarily the diversity and the continuous development of production. High flexibility in the development of new technologies, high quality of tools and short lead times offered have made Frezwid become the leader in industry.

Our mission is to produce high quality tools for working wood, MDF, aluminium and PVC.

Our offer includes:

- side milling cutters, shank cutters and end mills;
- heads with replaceable plates;
- diamond tools;
- disc saw blades and planer knives;
- cutters and heads for production of windows and doors.

In addition to the above tools, we also offer specialised accessories for production of PVC and AL joinery:

- cutters for corner cleaning machines and post milling;
- resistors for welders;
- guides for cutting glazing beads;
- drilling templates and blades for cutting burrs.

We offer professional service of tools:

- sharpening and reworking;
- repair of damaged cutting tools.

We look forward to working with you!





Quality is what we focus on

In order to ensure the best quality of our tools we keep checking and monitoring all stages of the production process. Top quality of our products, commitment to environmental protection and creating safe working environment have all been confirmed by relevant certificates.

ZPH "FREZWID" sp.j.
ul. Piłsudskiego 7B
32-050 Skawina

tel.: +48 12 276 33 51
+48 12 276 39 05
fax: +48 12 276 50 68

www.frezwid.com.pl
e-mail: sekretariat@frezwid.com.pl

